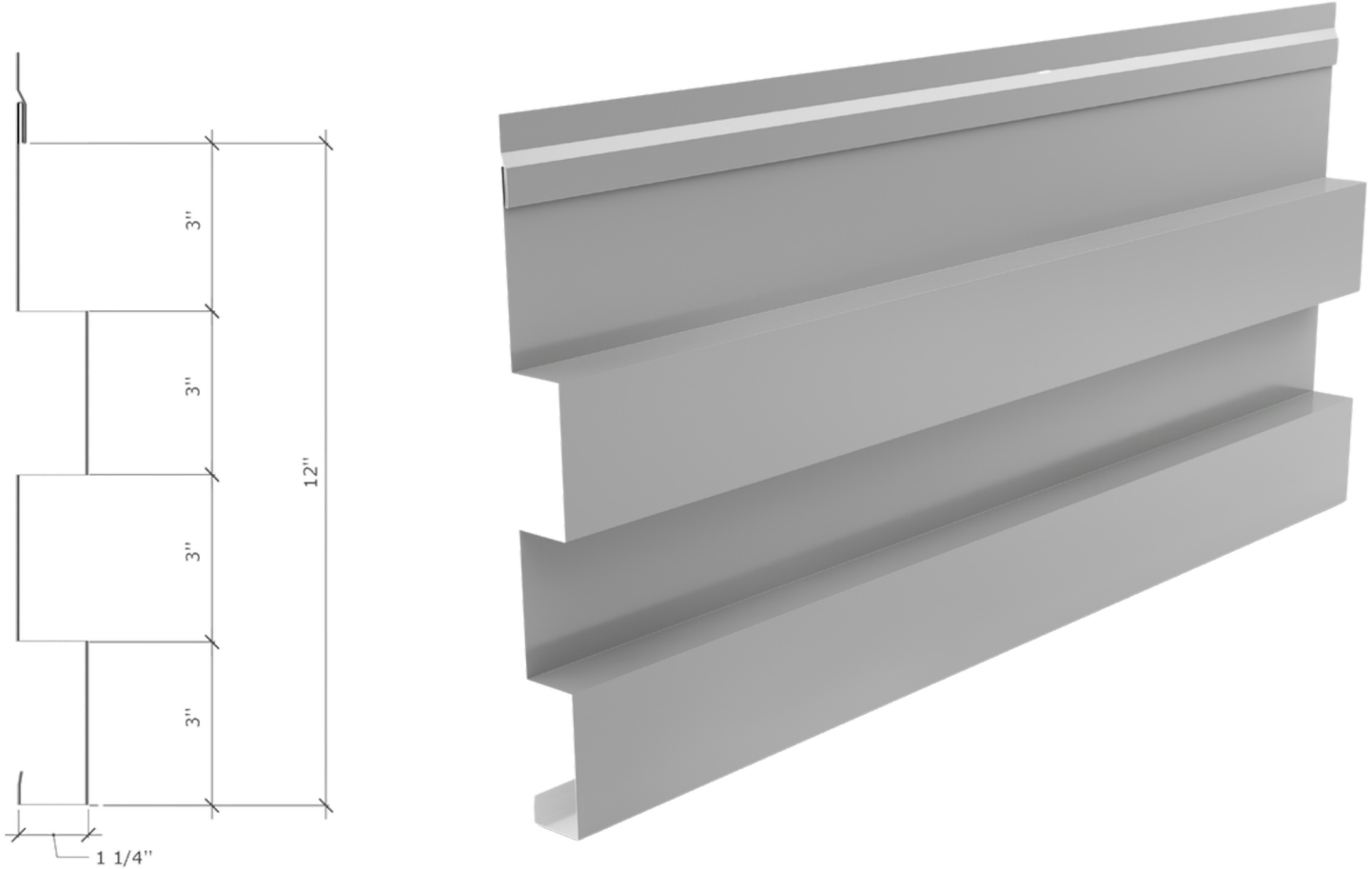


MAJESTIC SERIES



MZ 6 Panel



PRODUCT OVERVIEW

MATERIALS

- 24 gauge steel
- .032 aluminum
- .8mm zinc
- 22 gauge steel
- .040 aluminum
- 1mm zinc

SPECIFICATIONS

- 12" coverage x 1-1/4" depth

DESIGN CONSIDERATIONS

- 25' length max
- 12" length minimum

COLORS

- *Colors of Innovation*
- Barrel Collection
- Custom Colors

TESTING

- ASTM E1592
- ASTM E330

PRODUCT FEATURES

- Fully tested to meet all design criteria
- Vertical or horizontal installations
- Micro-seam corners
- Vertical mullion designs
- Concealed fastener
- Value-drive system

Oil canning is not a cause for rejection

